

# ***TK GUIDELINE***

## ***MOTOR FAN REPLACEMENT***

**MODELS :**

***TK500 – TK1000 – TK 2000***

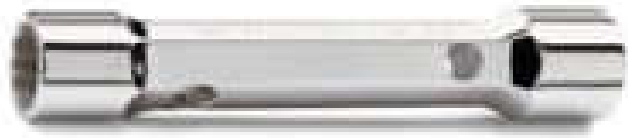
# EQUIPMENT



*Screw-driver*



*Tongs*

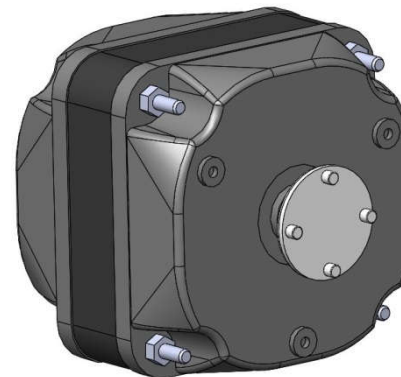


*Allen wrench (7)*

*Allen wrench (8)*



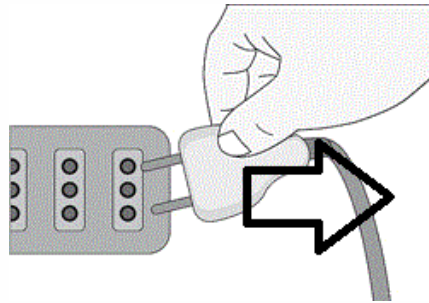
*5 black clamps*



*Motor Fan  
(spare part)*

# STEP n. 1

**WARNING! Parts replacements and reparation may be carried out only by qualified persons. If this are not performed properly, they can cause electric shock, burns and fires**



*Disconnect chiller from power supply.  
Never touch internal part or dismount chiller when it is connected to power supply to avoid potential electric shock.*

*Remove the conveyor from the top part of the chiller.  
You can see the metal black grid and the red fan support.*



# STEP n. 2

*Using the screw-driver, remove the 4 screws that fix the metal grid. Then, remove the grid.*



# STEP n. 3

*Using the allen wrench take out the fan blade screw(8). Then, remove the fan blade.*

*ONLY FOR TK500 AND TK1000: Remove the red ring from its position.*



# STEP n. 4



*Using the screw-driver, remove the 4 INOX screws indicated in the picture here below.*



# STEP n. 5

*Remove the air filter grid and air filter from their position.*



# STEP n. 6

*Remove the red fan support lifting it up from the bottom edge.  
Leave it on the metal cover, as you can see in the picture.*



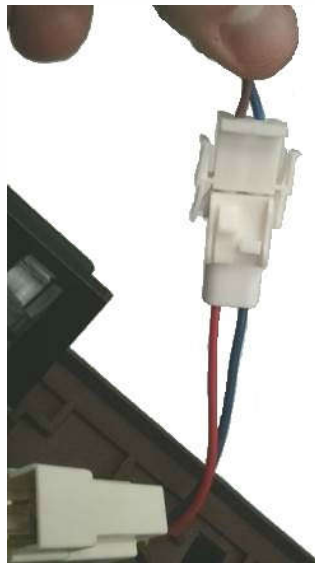


# STEP n. 7

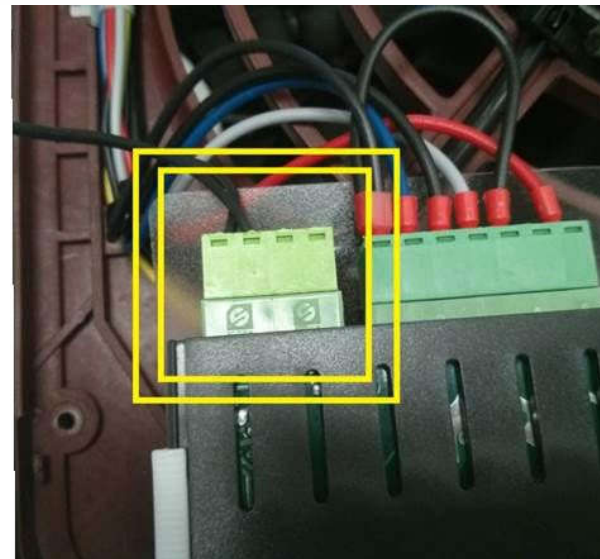
*Disconnect the compressor connector, heater connector and probe connector.*



*Compressor  
connector*

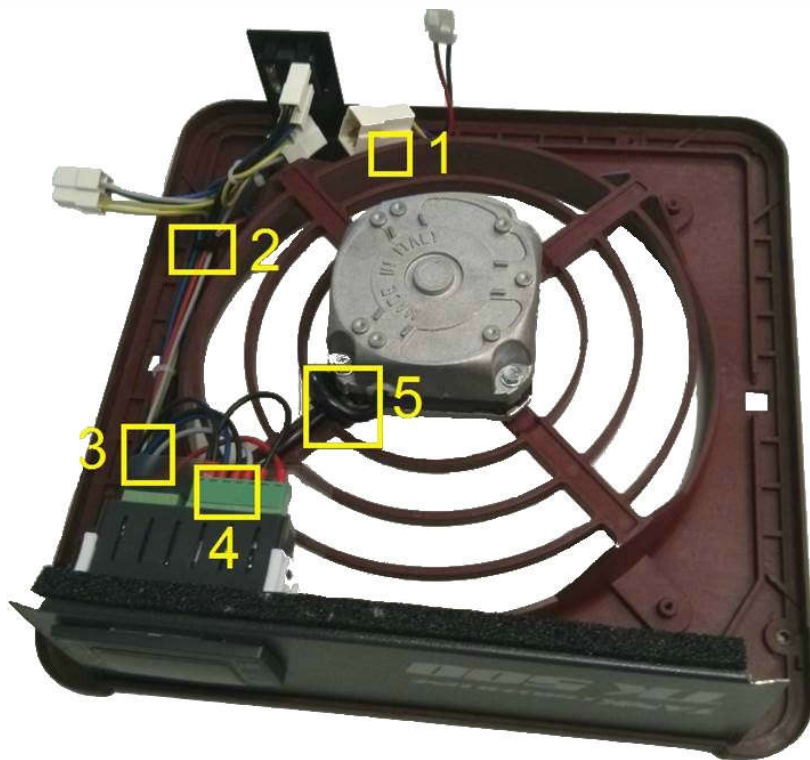


*Heater  
connector*



*Probe  
connector*

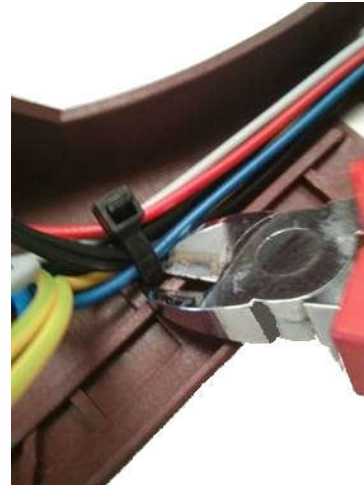
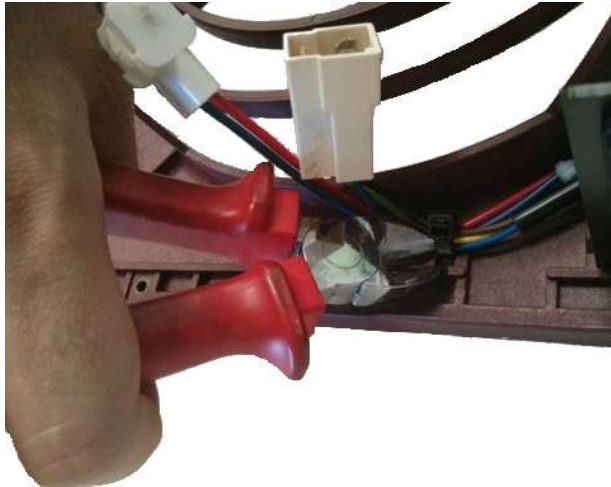
# STEP n. 8



*Now, the fan support has been disconnected from the bottom part of the chiller.*

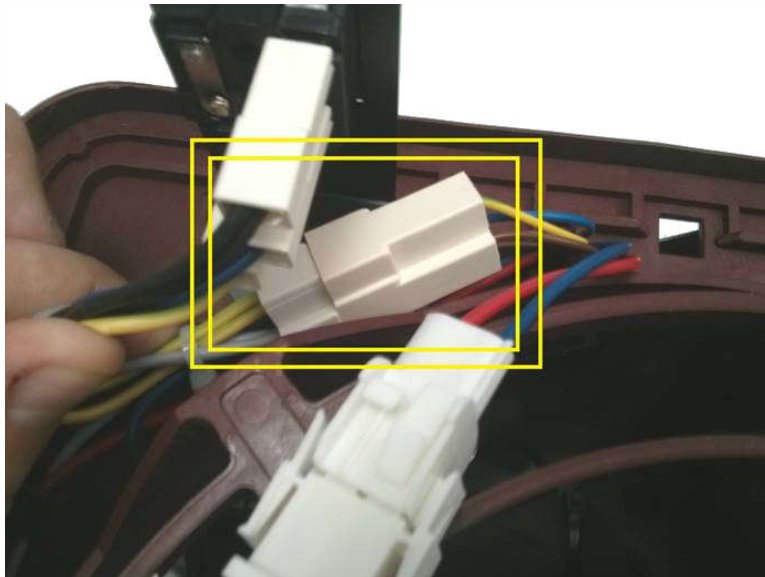
*Take the fan support off and place it on a work table.*

*In order to fix all cables in the fan support, use 5 black clamps. Cut them with the tongs.*



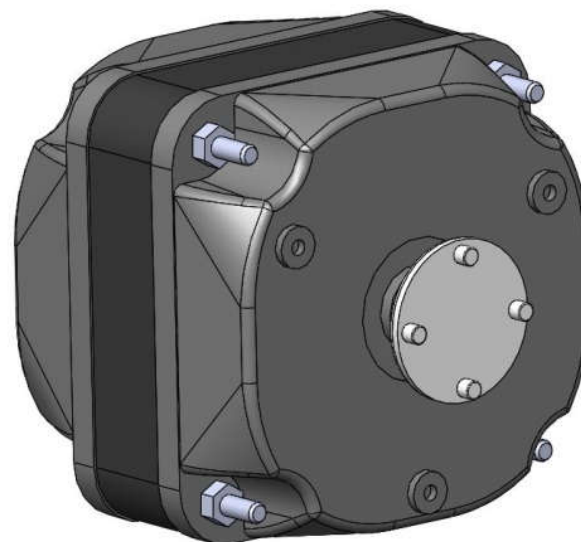
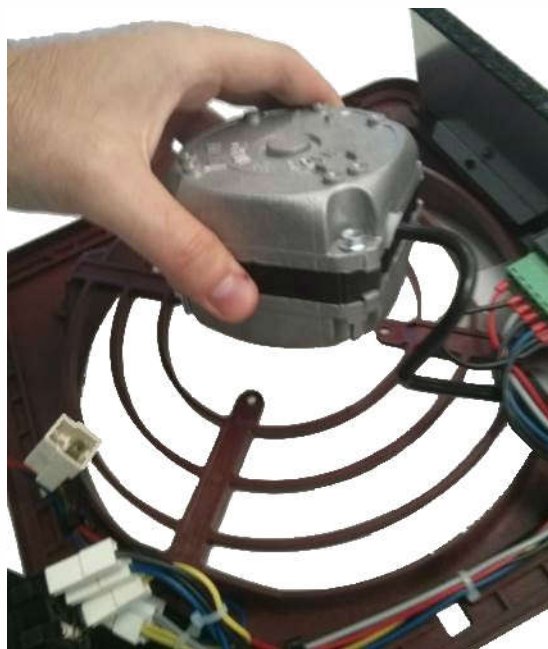
# STEP n. 9

*Disconnect the fan connector and remove the 4 nuts with the allen wrench (7).*



# STEP n. 10

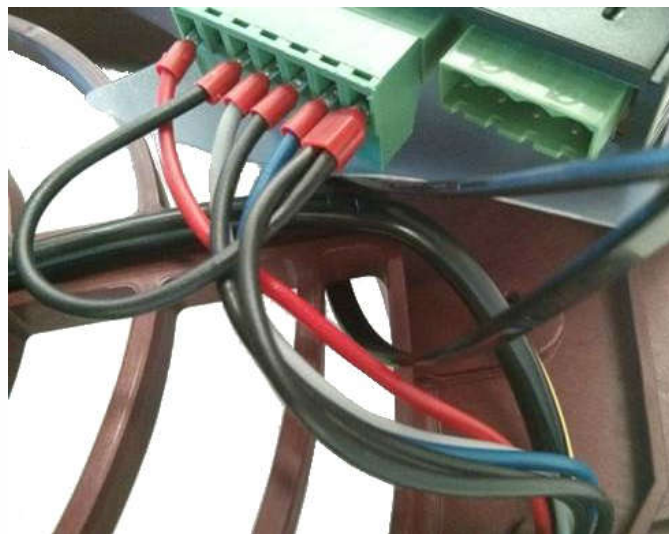
*Lift out the motor fan assembly and replace it with the new one.  
Using the allen wrench (7) screw the 4 nuts and connect the fan connector.*



# STEP n. 11



*Take the 5 black clamps and use it to fix all electrical cable, as before.*



# STEP n. 12



*Reconnect all connectors. Then take the fan support and fix it at the bottom part of chiller.  
Attention: the front panel side must be insert in the aluminum profile!*

*Rebuild the top part of the chiller following the indicated sequence:*

1. 4 INOX screw (fix the fan support on metal cover)
2. Fan blade
3. Fan blade screw
4. Red ring (only for TK500 and TK1000)
5. Metal grid
6. Metal grid, 4 black washers and 4 screws
7. Conveyor
8. Air filter
9. Air filter grid